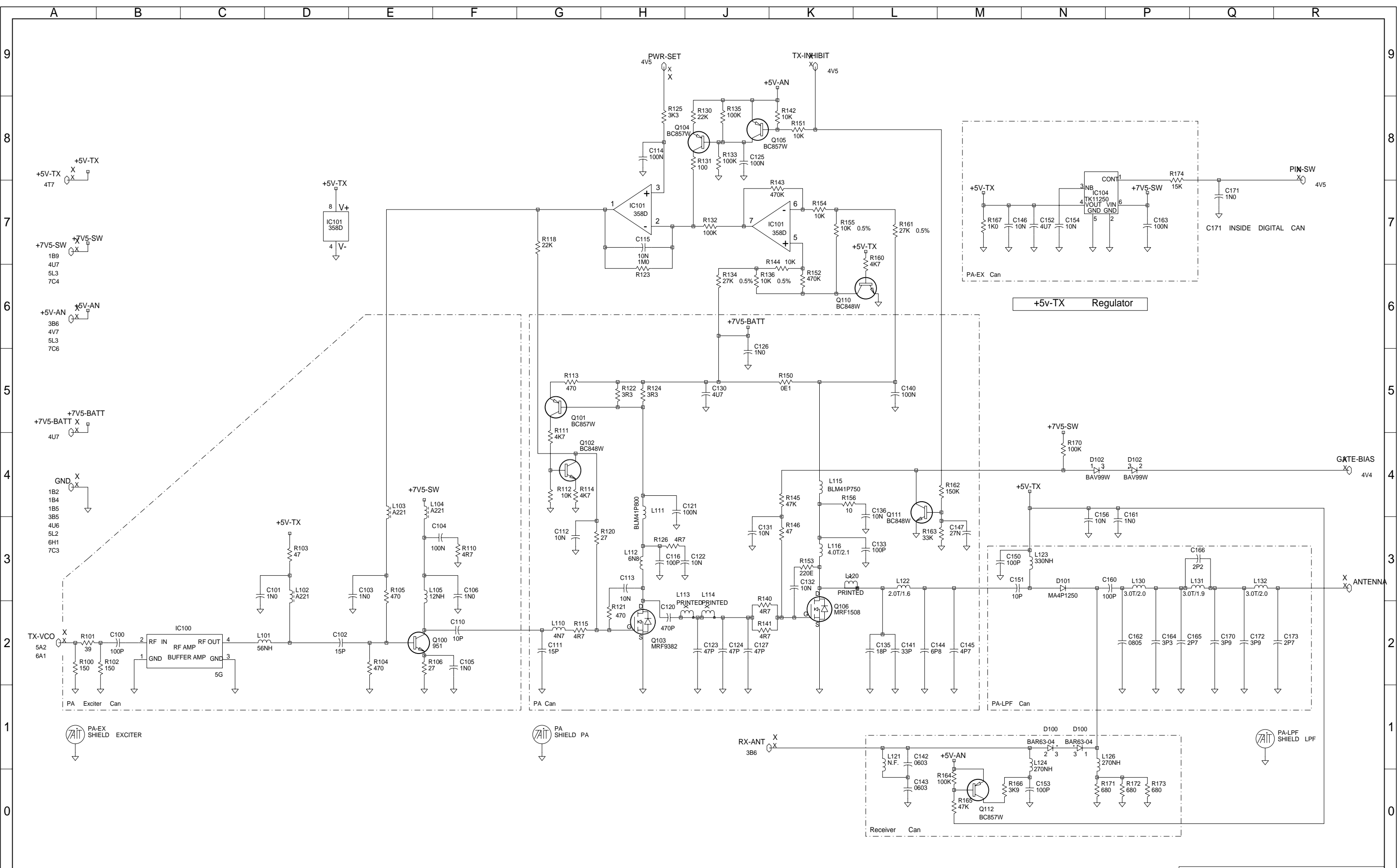


01A	INITIAL DES	CC0	1624/001	002	003	BRD	JJ	CK	GR	25/11/99
REV/ISS	AMENDMENTS				DRAWN	CHKD	D.O.	APVD	DATE	

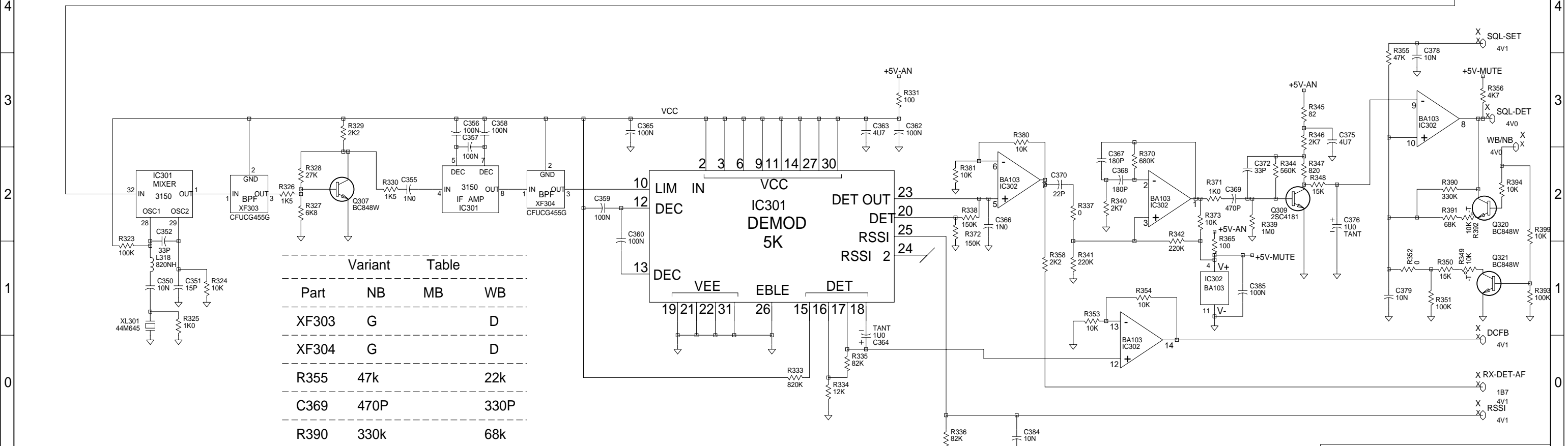
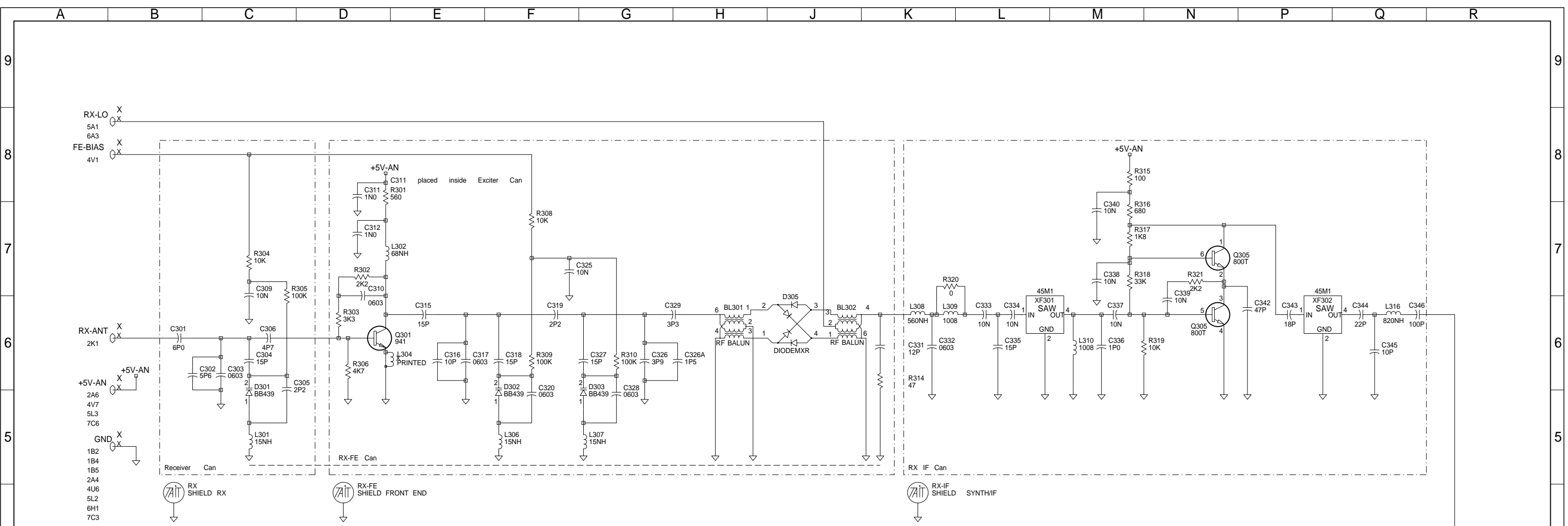


© TAIT ELECTRONICS			
TAIT ORCA : 450-530 MHZ SYSTEM DIAGRAM			
IPN:	ISSUE:	ID:	
220-01624-01	A	2.SC. 1	
PROJECT:	DESIGNER:	FILE NAME:	FILE DATE:
ORCA	BRD/CJK	162401a	23-Nov-99
			NO.SHEETS: 7



© TAIT ELECTRONICS
 TAIT ORCA : 450-530 MHZ
 POWER AMPLIFIER
 IPN: 220-01624-01 ISSUE: A ID: 2.S.C. 2
 PROJECT: ORCA DESIGNER: BRD/CJK FILE NAME: 162401a FILE DATE: 23-Nov-99 NO.SHEETS: 7

REV/ISS	AMENDMENTS	DRAWN	CHKD	D.O.	APVD	DATE
A						



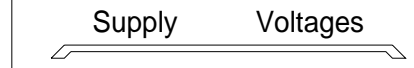
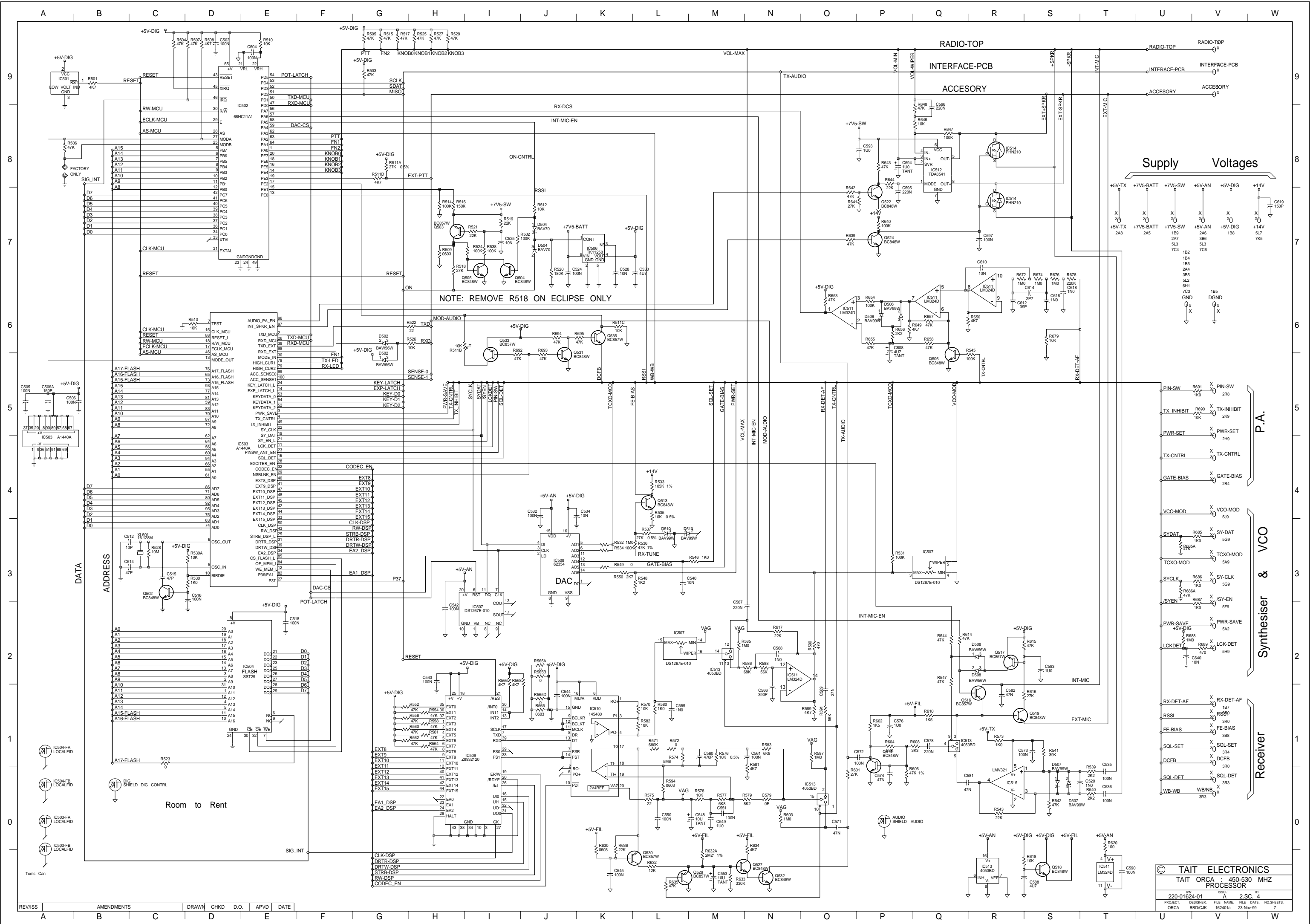
Variant Table

Part	NB	MB	WB
XF303	G		D
XF304	G		D
R355	47k		22k
C369	470P		330P
R390	330k		68k

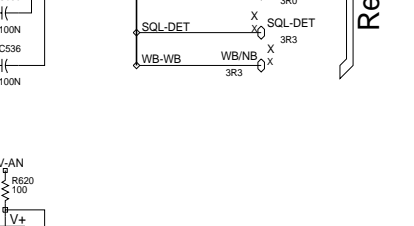
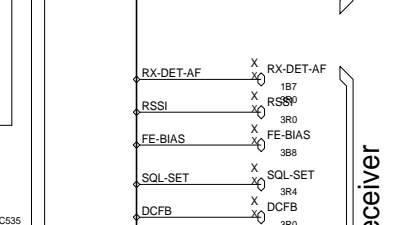
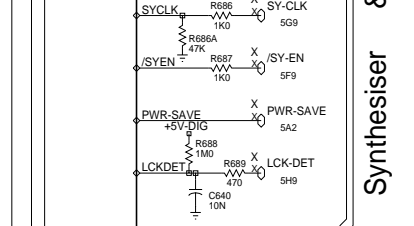
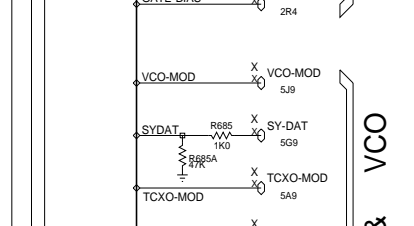
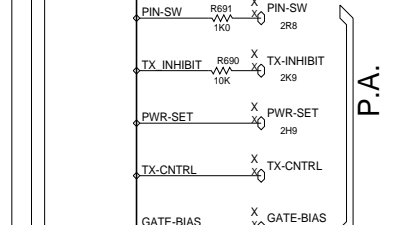
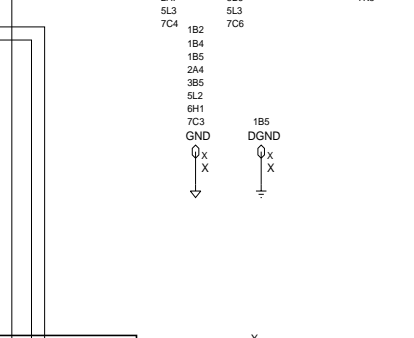
© TAIT ELECTRONICS
 TAIT ORCA : 450-530 MHZ RECEIVER

IPN: 220-01624-01 ISSUE: A ID: 2.S.C. 3
 PROJECT: ORCA DESIGNER: BRD/CJK FILE NAME: 162401a DATE: 23-Nov-99 NO.SHEETS: 7

REV/ISS	AMENDMENTS	DRAWN	CHKD	D.O.	APVD	DATE

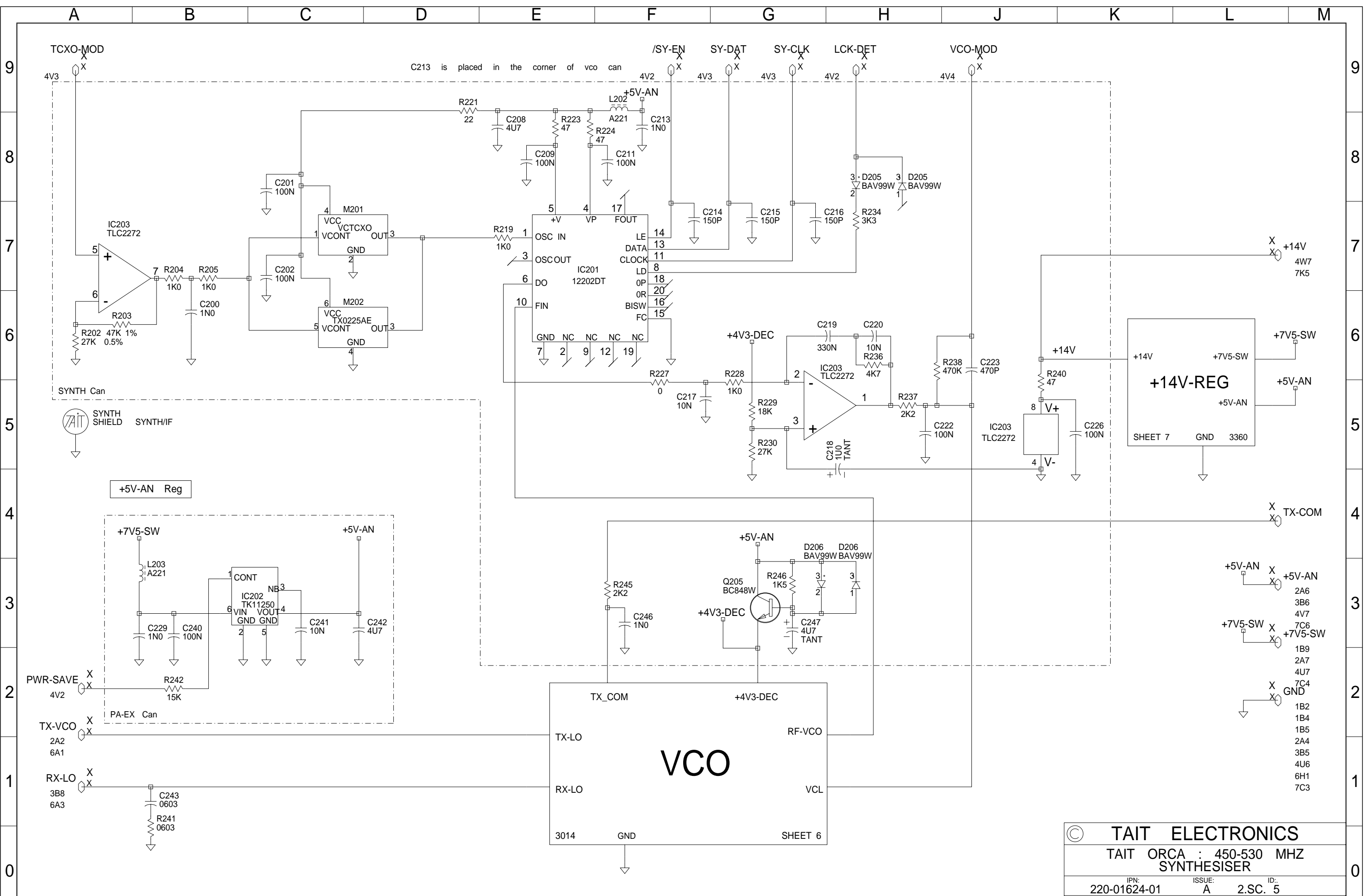


Supply	Voltages
+5V-TX	2A8
+7V5-BATT	2A5
+7V5-SW	1B9, 2A7, 5L3, 7C4
+5V-AN	2A6, 3B6, 5L3, 7C5
+5V-DIG	1B8
+14V	5L7, 7K5



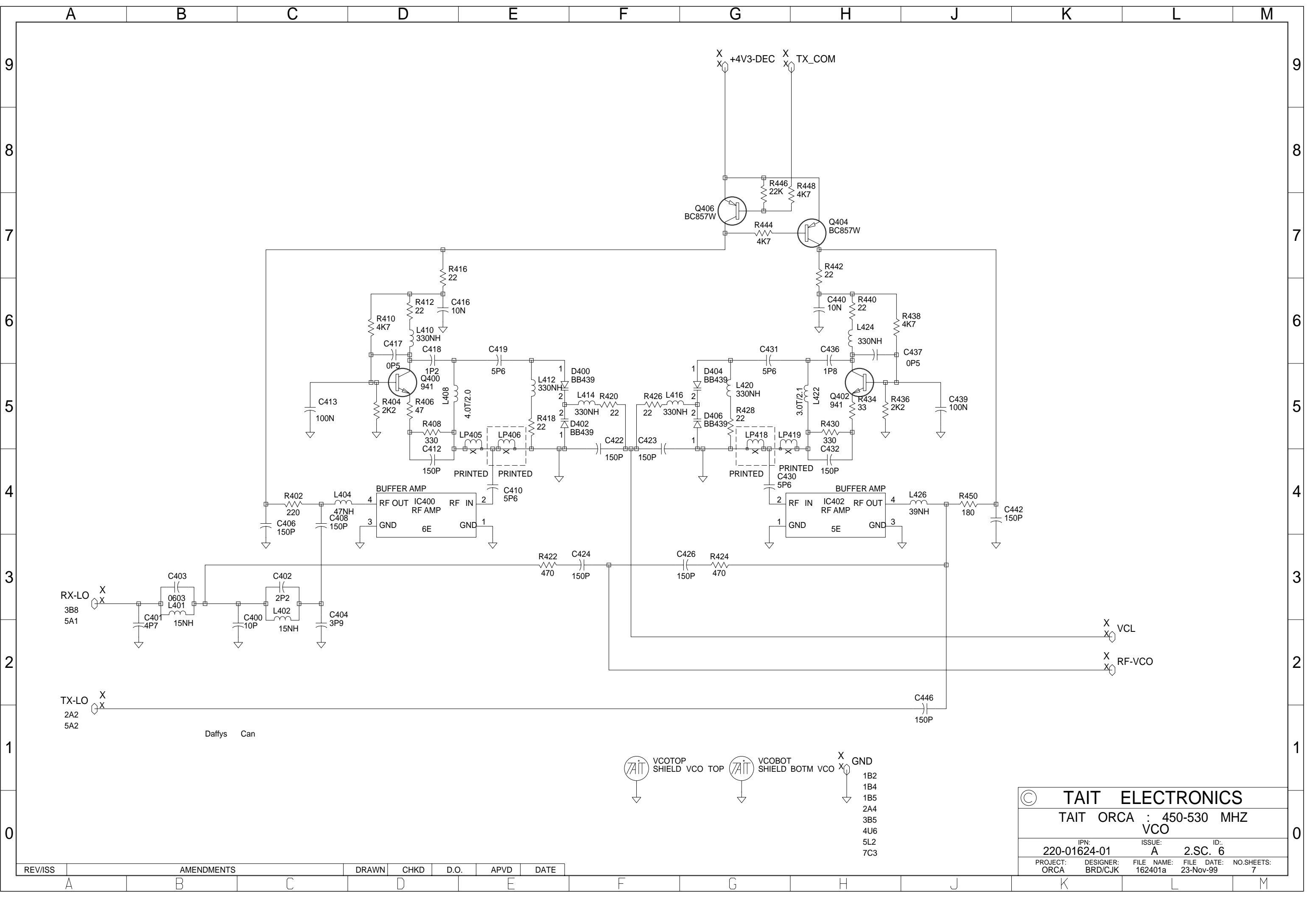
TAIT ELECTRONICS
 TAIT ORCA : 450-530 MHZ
 PROCESSOR

REV/ISS: A B C D E F G H I J K L M N O P Q R S T U V W
 AMENDMENTS: A B C D E F G H I J K L M N O P Q R S T U V W
 DRAWN: A B C D E F G H I J K L M N O P Q R S T U V W
 CHKD: A B C D E F G H I J K L M N O P Q R S T U V W
 D.O.: A B C D E F G H I J K L M N O P Q R S T U V W
 APVD: A B C D E F G H I J K L M N O P Q R S T U V W
 DATE: A B C D E F G H I J K L M N O P Q R S T U V W

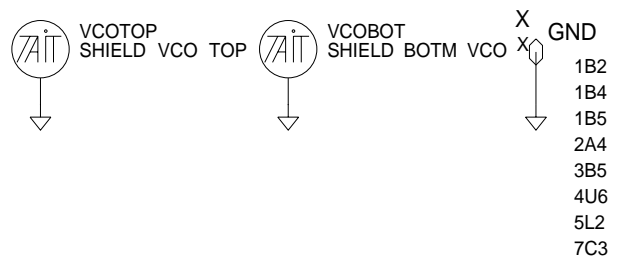


© TAIT ELECTRONICS
 TAIT ORCA : 450-530 MHZ SYNTHESISER
 IPN: 220-01624-01 ISSUE: A ID: 2.SC. 5
 PROJECT: ORCA DESIGNER: BRD/CJK FILE NAME: 162401a FILE DATE: 23-Nov-99 NO.SHEETS: 7

REV/ISS	AMENDMENTS	DRAWN	CHKD	D.O.	APVD	DATE

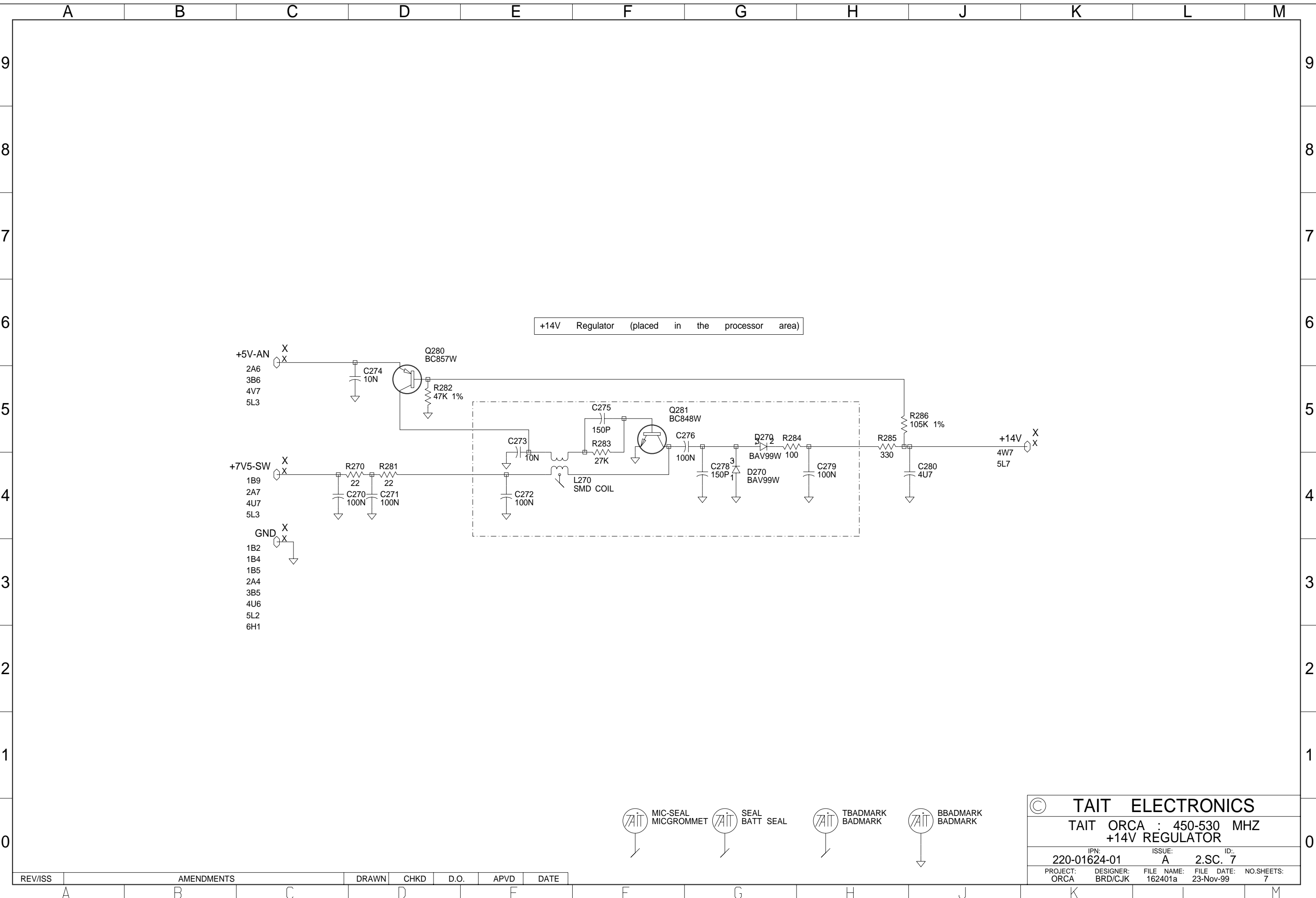


REV/ISS	AMENDMENTS	DRAWN	CHKD	D.O.	APVD	DATE



© TAIT ELECTRONICS
 TAIT ORCA : 450-530 MHZ
 VCO

IPN: 220-01624-01	ISSUE: A	ID: 2.SC. 6
PROJECT: ORCA	DESIGNER: BRD/CJK	FILE NAME: 162401a
	FILE DATE: 23-Nov-99	NO.SHEETS: 7



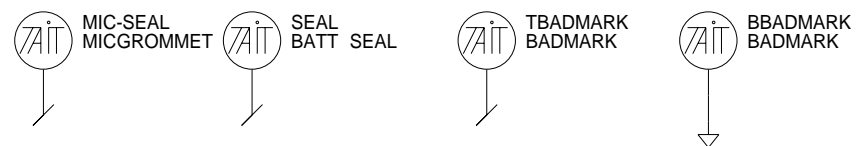
+14V Regulator (placed in the processor area)

+5V-AN
2A6
3B6
4V7
5L3

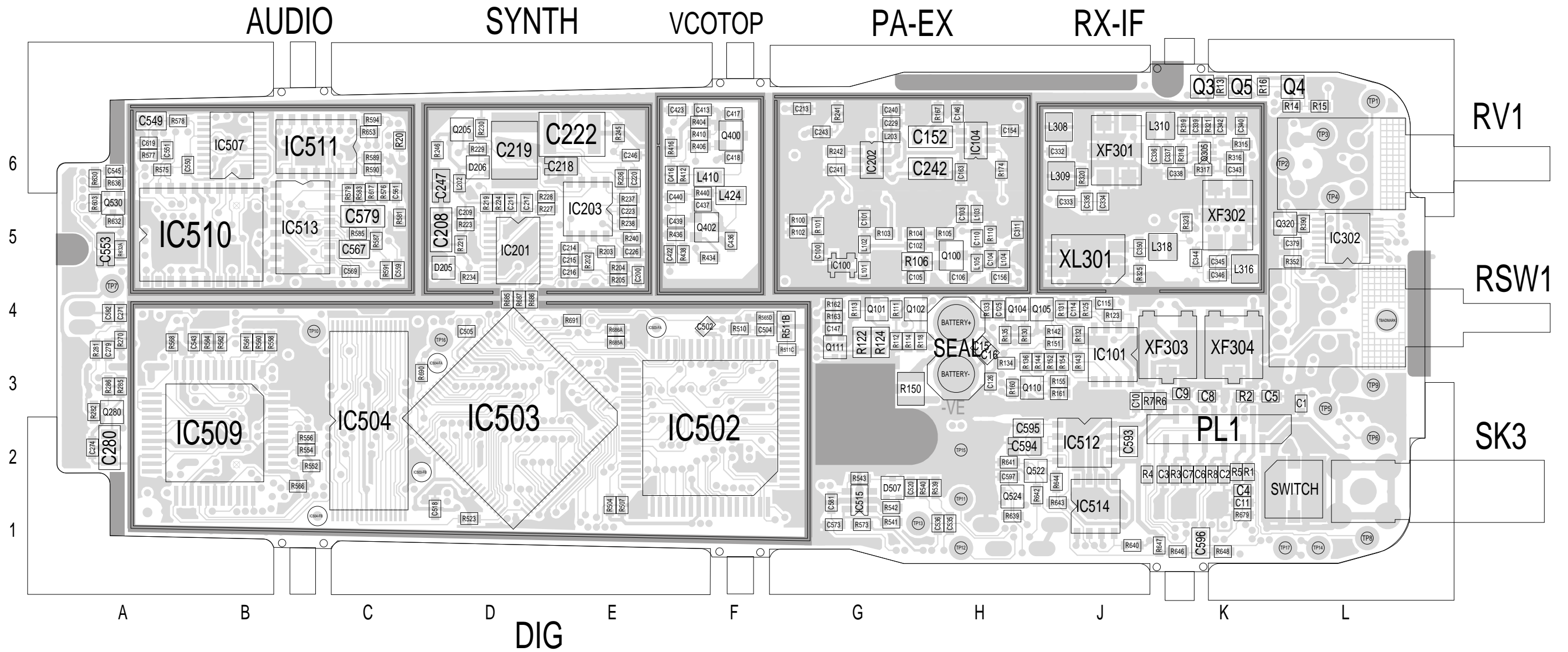
+7V5-SW
1B9
2A7
4U7
5L3

GND
1B2
1B4
1B5
2A4
3B5
4U6
5L2
6H1

© TAIT ELECTRONICS				
TAIT ORCA : 450-530 MHZ +14V REGULATOR				
IPN:	ISSUE:	ID:		
220-01624-01	A	2.SC. 7		
PROJECT:	DESIGNER:	FILE NAME:	FILE DATE:	NO.SHEETS:
ORCA	BRD/CJK	162401a	23-Nov-99	7



REV/ISS	AMENDMENTS	DRAWN	CHKD	D.O.	APVD	DATE
---------	------------	-------	------	------	------	------



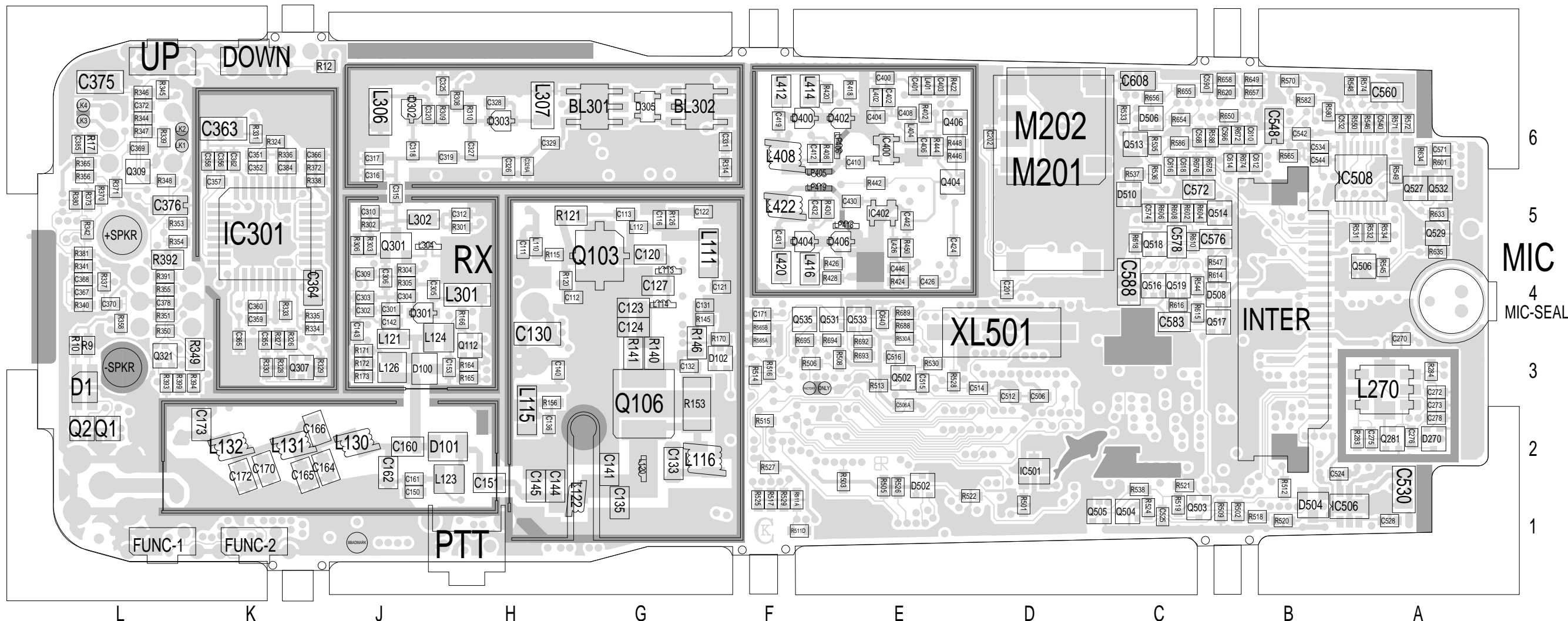
TAIT ELECTRONICS IPN: 220-01624-01 ISS: A ID: 1.TA DATE: 25 Nov 1999
 ORCA UHF PCB LAYOUT - TOP SIDE

Scale: 2.3:1 ; Rotation: 0 degrees

RXDEM

RX-FE

VCOBOT



UP DOWN

+SPKR

-SPKR

FUNC-1 FUNC-2

PTT

L K J H G F E D C B A

PA-LPF

PA

M202 M201

XL501

INTER

MIC MIC-SEAL

6 5 4 3 2 1

TAIT ELECTRONICS IPN: 220-01624-01 ISS: A ID: 6.BA DATE: 25 Nov 1999
 ORCA UHF PCB LAYOUT - BOTTOM SIDE